

4. Costs associated with:

- Product removal
- Transportation to/from the retailer
- Brand label removal
- Product re-measure
- Product reinstallation
- Shipping
- Incidental or consequential damages

In the event there are multiple blinds/shades in the same room, only the defective blind/shade will be replaced.

To Report Shipping Damage: If damage occurred during shipping, call the place of purchase and report within 7 calendar days, or you may be denied credit for your damaged product.

To Obtain Service: If you suspect this product has a manufacturing defect in materials or workmanship:

- Locate the sales receipt
- Call place of purchase

Any unauthorized returns will not be accepted.

Warranty Remedy: This shall be your sole remedy under this limited warranty. If this product is found to have a manufacturing defect in materials or workmanship, we will, at our discretion, do one of the following:

- Repair the product
- Replace the product
- Refund the cost of the product.

Colors may vary from lot to lot and may not exactly match sample swatches or previous purchases.

Discontinued items or color selections will be replaced with the closest equivalent current product.

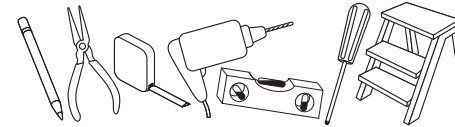
Your rights under state law: This lifetime limited warranty gives you specific legal rights, and you may have other rights which vary from state to state. Some states do not allow limitations on how long a warranty lasts, so the above limitations may not apply to you. No agent, representative, dealer or unauthorized employee has the authority to increase or alter the obligation of this warranty. This lifetime limited warranty supersedes any previous versions.

Roller Shade – Deluxe Spring Motor

Tools Required:

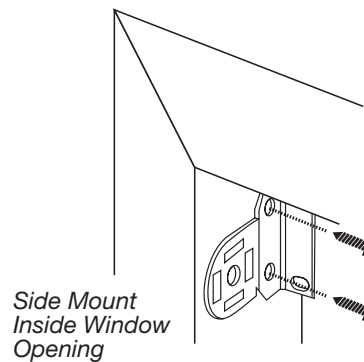
Tape measure, pencil, drill, drill bits, screw driver, step stool or ladder.

Note: use a 5/64" drill bit to pre-drill the screw holes (for attachment to a wall stud or header board). Use Wall Anchors (not included) for hollow dry wall or plaster mounting.

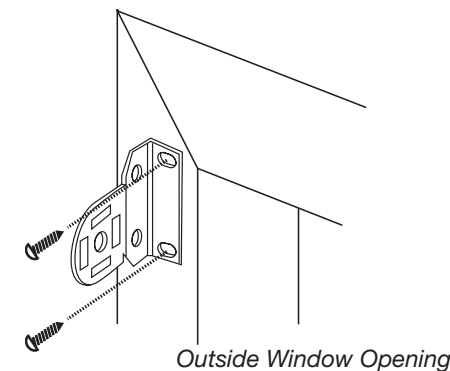


Step 1. Mount the Brackets

The brackets can be face mounted, top mounted or side mounted – attach the brackets to the window frame, molding or ceiling as illustrated. The brackets are “universal” – there are no “right” and “left” brackets.

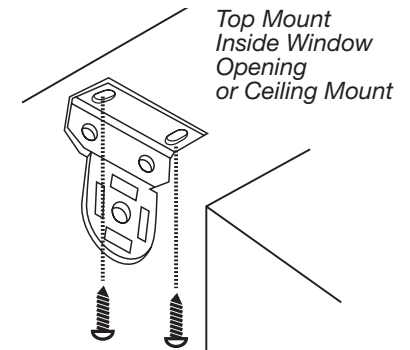


Side Mount
Inside Window
Opening



Outside Window Opening

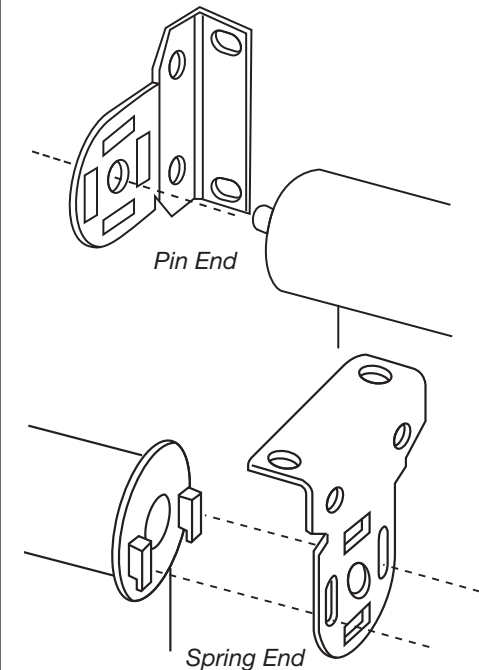
Mark the screw locations with a pencil – pre-drill the screw holes using a 5/64" drill bit.



Top Mount
Inside Window
Opening
or Ceiling Mount

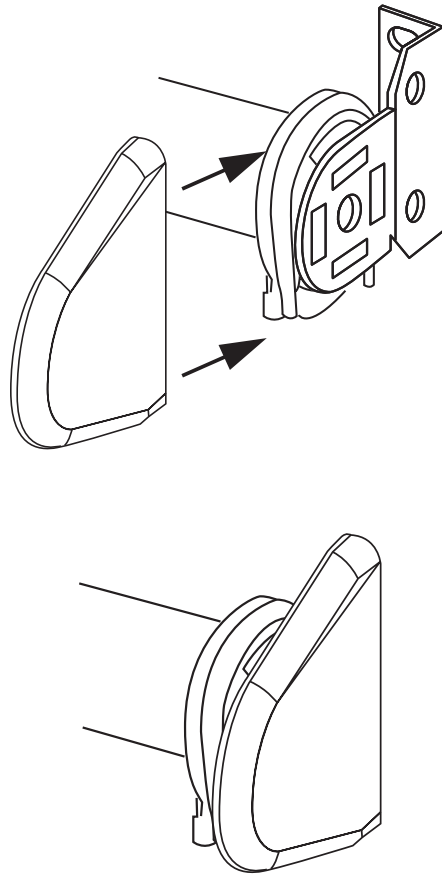
Step 2. Install the Shade

Put the spring loaded pin into the round hole of the bracket, push the spring loaded tip into the bracket, and then insert the hook arms on the opposite side of the shade into the two hook arm receiver holes of the bracket. Once the two hook arms are through the holes, gently pull down until the two hook arms have locked securely to the bracket.



Step 3. Install the Bracket Covers
– For Outside Mount Shades Only!

Bracket covers slide onto the brackets as shown until they snap into position.



Step 4. Operating the Shade

Raise the Shade: Grip the center of the bottom hem (do not release your grip until you have set the shade at the desired height) – pull the shade away from the window sill, if necessary – pull straight down to release the spring motor that controls the movement of the shade – allow it to rise to any desired point, then pull downward gently to stop/set the shade.

Lower the Shade: Pull straight down and stop/set the shade as described above.

Step 5. Adjust Spring Tension

This shade has a reliable long-lasting

Spring Motor. The Spring Motor must have proper tension in order to function as intended. Handling in transit can affect spring tension. Therefore, please give special attention to the instructions below to optimize the performance of your shade.

Spring Tension should be adjusted to assure best performance and to suit personal preference. The tension on the spring should be neither too loose nor too tight. When a window shade refuses to roll up, the spring is too loose. When it won't stay down the roller spring is too tight.

To Increase Tension: lower the shade about 18 inches from the top, and then remove it from the brackets. Roll-Up the shade all the way to the top by hand, and then place the shade back into the brackets as described in Step 2. Repeat as often as necessary to achieve desired tension.

Caution: *over-winding may result in permanent damage to the spring motor.*

To Decrease Tension: remove the shade from the brackets, and then unroll about 18 inches of shade material, and then place the shade back into the brackets as described in Step 2. Repeat as often as necessary to achieve desired tension.

Cleaning the Shades

Dusting: Vacuum using the soft brush attachment. **Washing:** Use a cloth, sponge or soft brush and a mild detergent. Use warm or cold water, not hot water. Place towel on the floor or window sill and wash the blind in sections.

REPLACEMENT PARTS

In the event that replacement parts are ever needed, you may call: 1-800-264-1190.

Please be sure to provide the following information, if possible:

- The complete model or catalog number of your product
- A description of the product
- A description of the part needed

LIMITED LIFETIME WARRANTY

The enclosed product is warranted to the original residential retail purchaser as long as the product remains in the original window.

Covered

Lifetime: Entire product against manufacturing defects (i.e. a flaw in the product design, materials, or workmanship that causes the product to no longer function).

3 Years: Cords, including internal cords such as those found in cordless blinds or shades.

5 Years: All fabric

Not Covered

1. Normal wear and Tear

2. Any product that fails due to:

- Abuse
- Exposure to salt air
- Improper installation
- Accident
- Extraordinary use
- Improper operation
- Alterations
- Improper cleaning
- Misapplication
- Damage from pests/insects/pets
- Improper handling
- Misuse

3. Natural Wood Products that have:

- Loss of color intensity
- Variations in color, grain or texture
- Warping of wood slats in high humidity areas